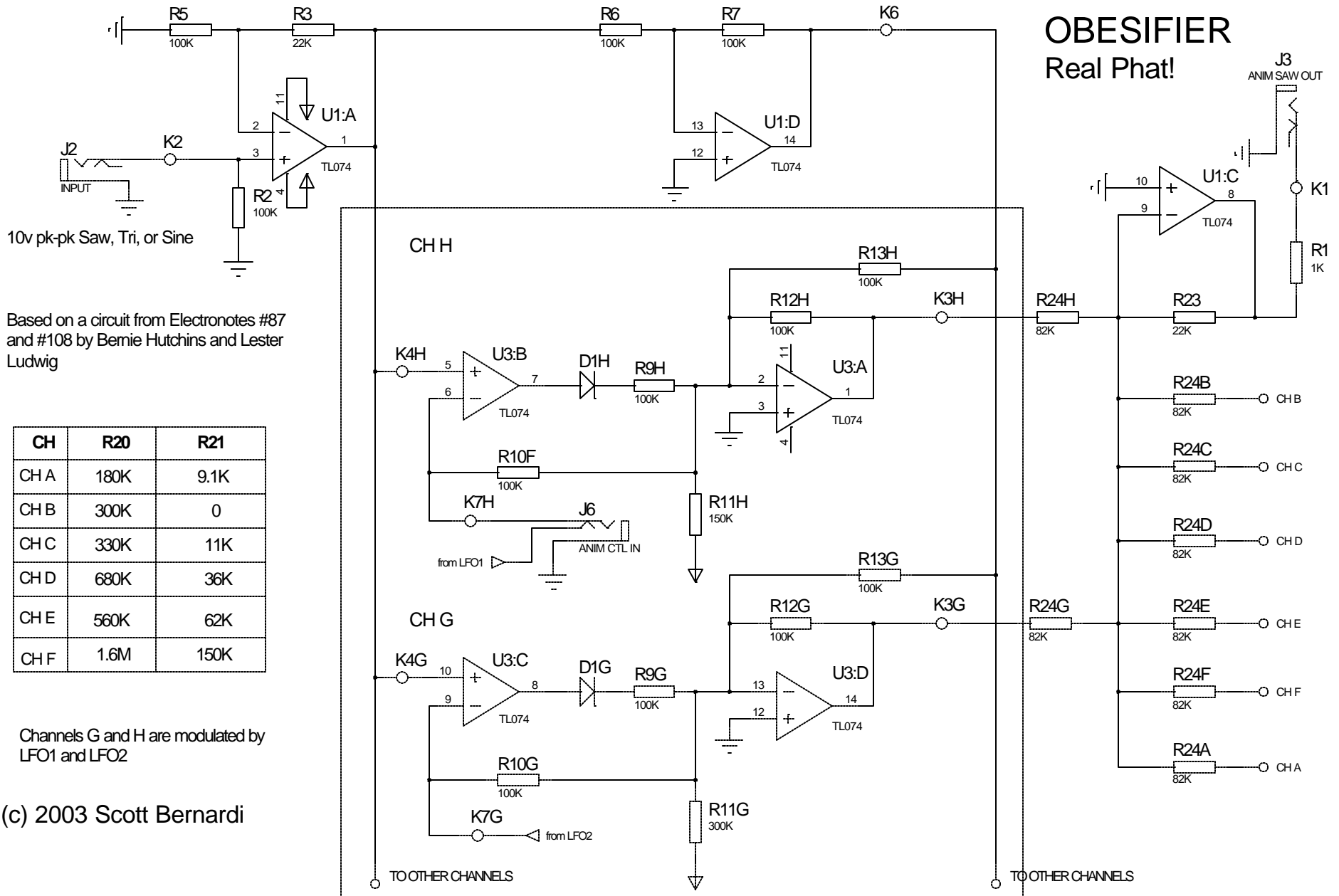


OBSIFIER

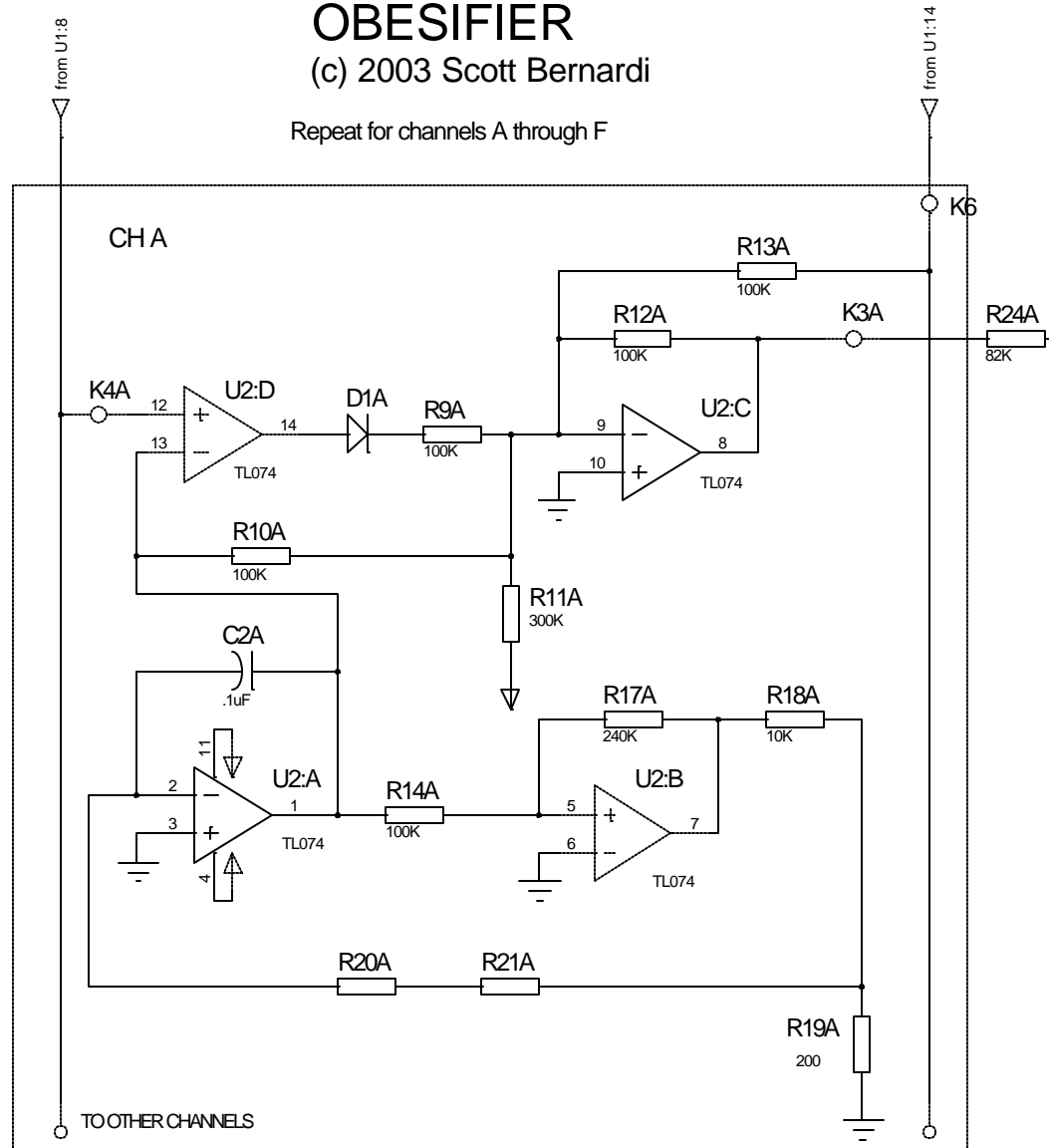
Real Phat!

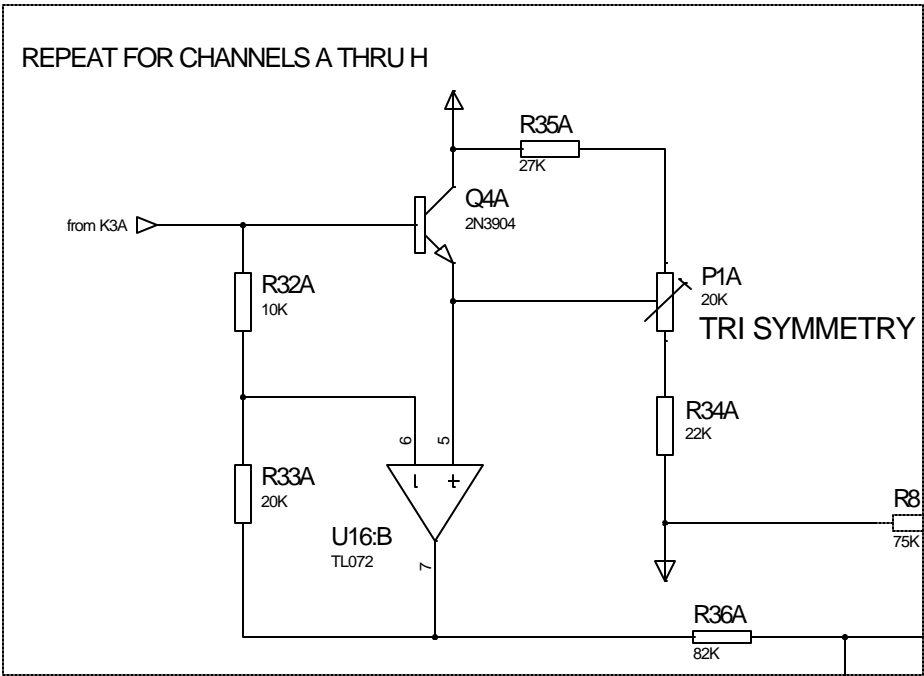


OBESIFIER

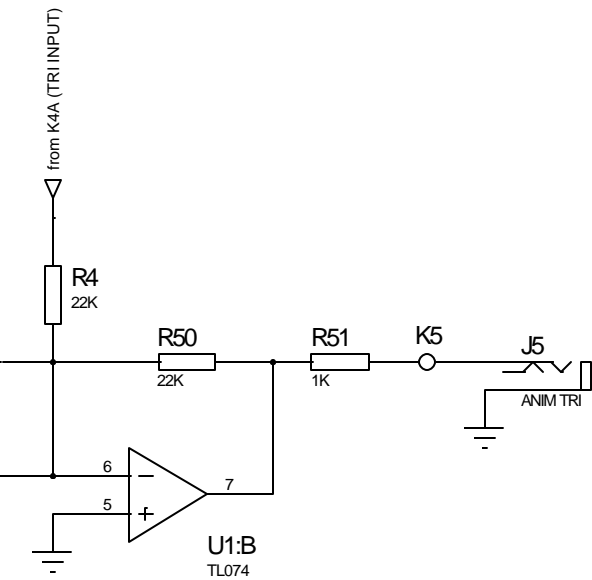
(c) 2003 Scott Bernardi

Repeat for channels A through F

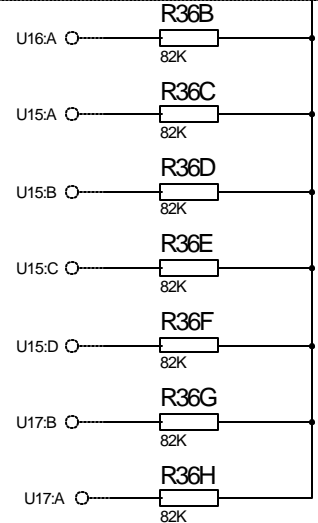




SAW TO TRI CONVERTERS



- U15 TL074
- U16 TL072
- U17 TL072

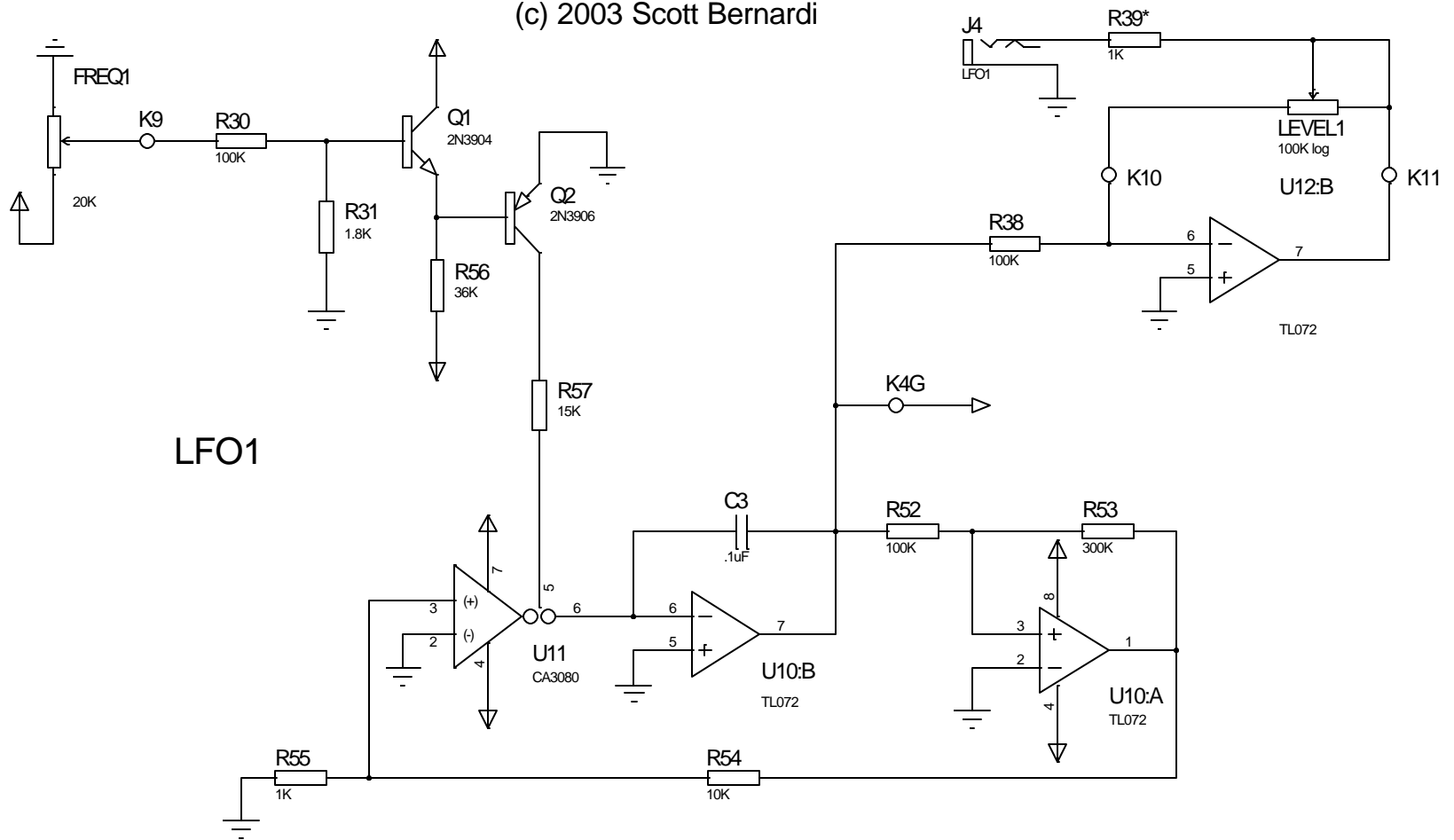


OBESIFIER

(c) 2003 Scott Bernardi

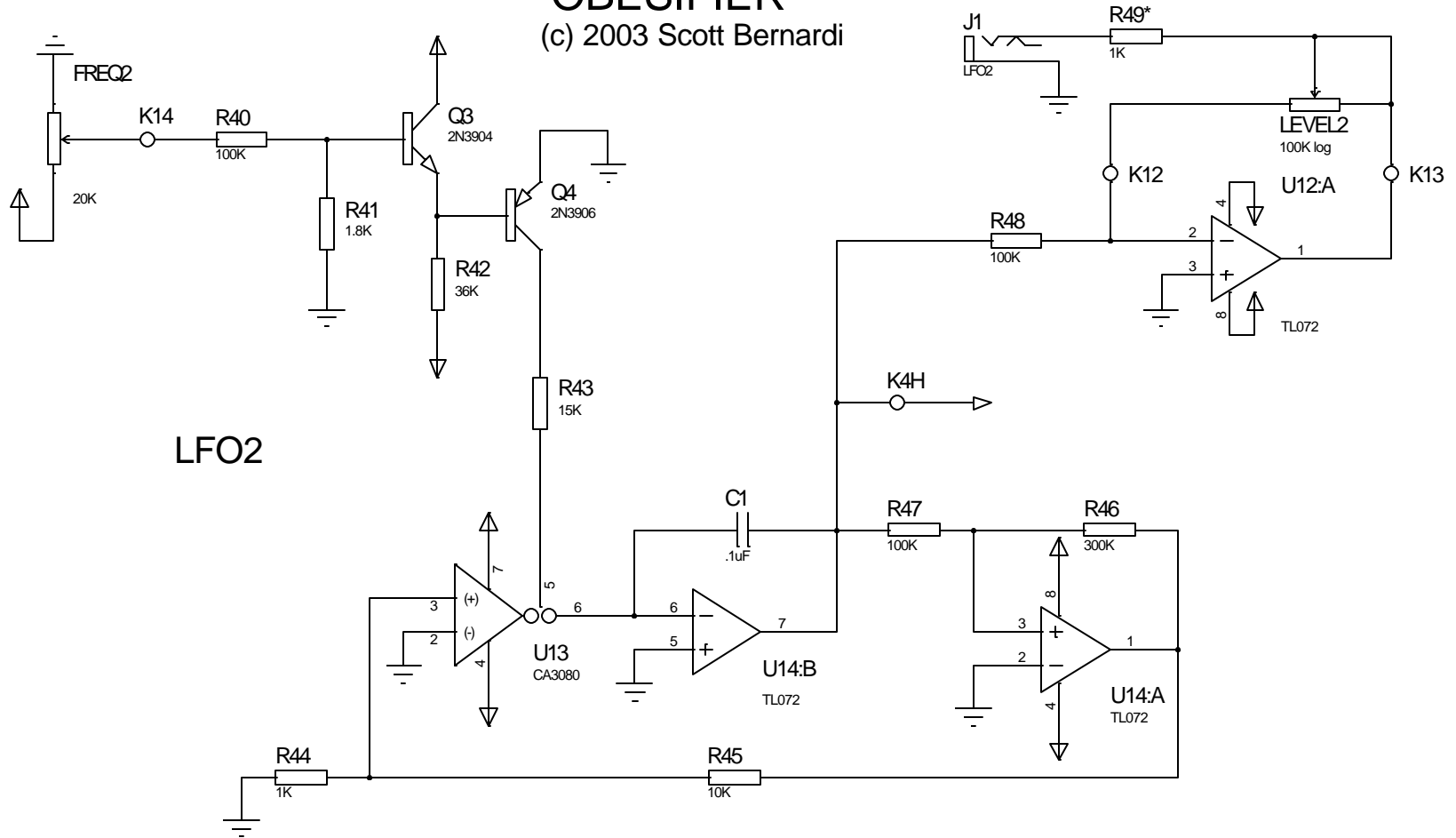
OBESIFIER

(c) 2003 Scott Bernardi



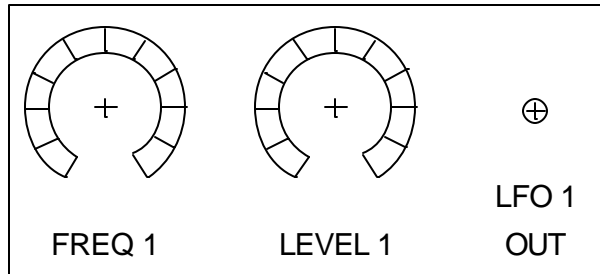
OBESIFIER

(c) 2003 Scott Bernardi

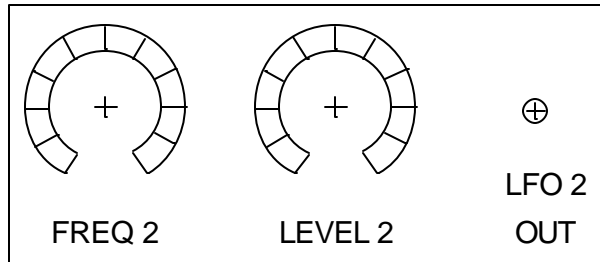


OBESIFIER

Real Phat!



ANIM CTL IN ⊕



⌘ ~ ~

⊕

INPUT

⊕

ANIM TRI

⊕

ANIM SAW

BILL OF MATERIALS (Default)

=====

Design: Obesifier Real Phat!
 Doc. no.: <NONE>
 Revision: 1.2
 Author: Scott Bernardi
 Created: 02/15/01
 Modified: 07/04/03

QTY	PART-REFS	VALUE
---	-----	-----
Resistors		
6	R1,R39*,R44,R49*,R51,R55	1K
48	R2,R5,R6,R7, R9A,R9B,R9C,R9D,R9E,R9F, R9G,R9H R10A,R10B,R10C,R10D,R10E, R10F,R10G,R10H R12A,R12B,R12C,R12D,R12E, R12F,R12G,R12H R13A,R13B,R13C,R13D,R13E, R13F,R13G,R13H, R14A,R14B,R14C,R14D,R14E,R14F R30,R38,R40,R47,R48,R52	100K
12	R3,R4,R23,R50, R34A,R24B,R24C,R24D,R24E R34F,R34G,R34H	22K
11	R11A,R11B,R11C,R11D,R11E, R11F,R11G,R11H,R46,R53,R20B	300K
6	R17A,R17B,R17C,R17D,R17E,R17F	240K
12	R18A,R18B,R18C,R18D,R18E,R18F R32A,R32B,R32C,R32D,R32E,R32F R45,R54	10K
6	R19A,R19B,R19C,R19D,R19E,R19F	200
1	R20A	180K
1	R20C	330K
1	R20D	680K
1	R20E	560K
1	R20F	1.6M
1	R21A	9.1K
1	R21B	0
1	R21C	11K
1	R21E	150K
	R21F	
16	R24A,R24B,R24C,R24D,R24E, R24F,R24G,R24H,R36A,R36B, R36C,R36D,R36E,R36F,R36G, R36H	82K
2	R31,R41	1.8K
8	R33A,R33B,R33C,R33D,R33E, R33F,R33G,R33H	20K

8	R35A,R35B,R35C,R35D,R35E, R35F,R35G,R35H	27K
3	R42,R56,R21D	36K
2	R43,R57	15K

Capacitors

8	C1,C3 C2A,C2B,C2C,C2D,C2E,C2F	.1uF
28	Bypass Caps	.1uF

Integrated Circuits

3	U1,U3,U4,U5,U6,U7,U8,U9,U15	TL074
4	U10,U12,U14,U16,U17	TL072
2	U11,U13	CA3080

Transistors

10	Q1,Q3,Q4A,Q4B,Q4C,Q4D,Q4E, Q4F,Q4G,Q4H	2N3904
2	Q2,Q4	2N3906

Diodes

8	D1A,D1B,D1C,D1D,D1E,D1F, D1G,D1H	1N4148
---	-------------------------------------	--------

Miscellaneous

2	FREQ1,FREQ2	20K lin pot
8	P1A,P1B,P1C,P1D,P1E,P1F,P1G, P1H	20K trimpot
2	LEVEL1,LEVEL2	100K log pot
1	J1	LFO2
1	J2	INPUT
1	J3	ANIM SAW
1	J4	LFO1
1	J5	ANIM TRI
1	J6	ANIM CTL IN