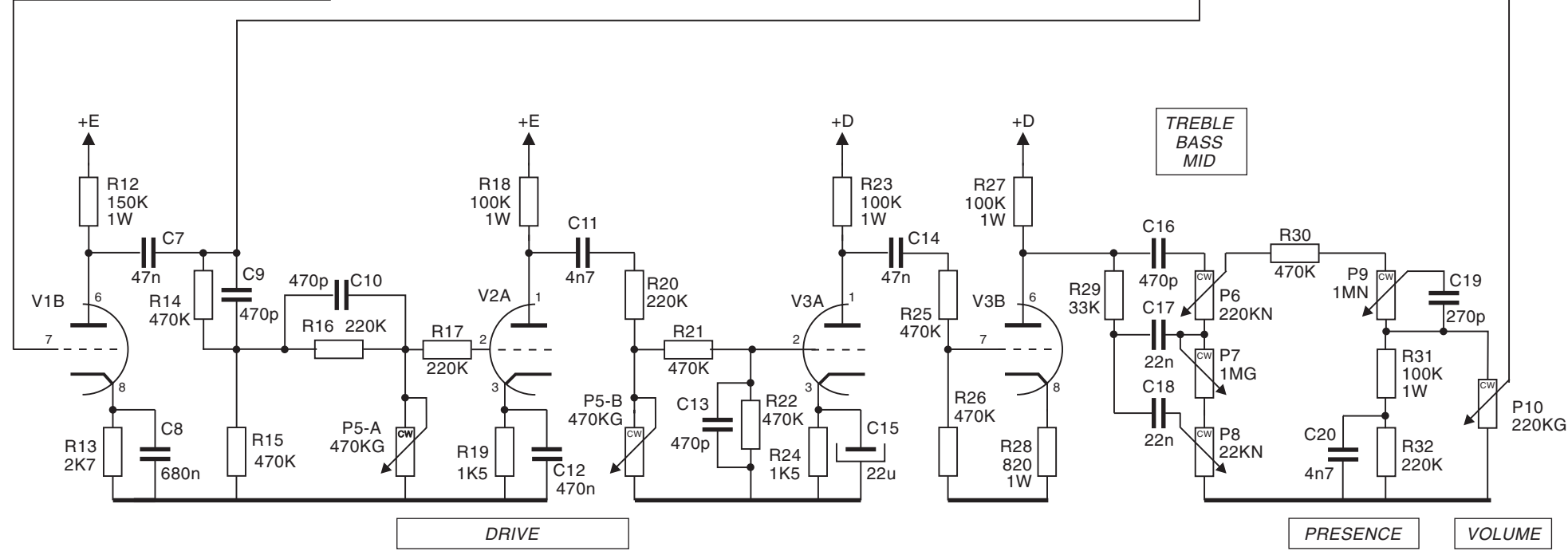
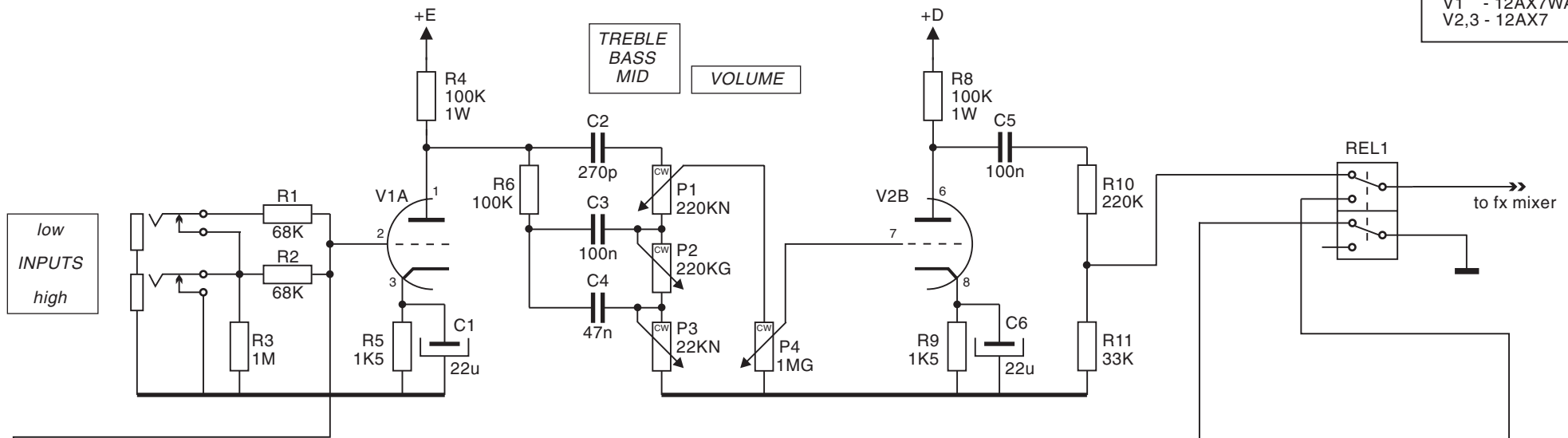
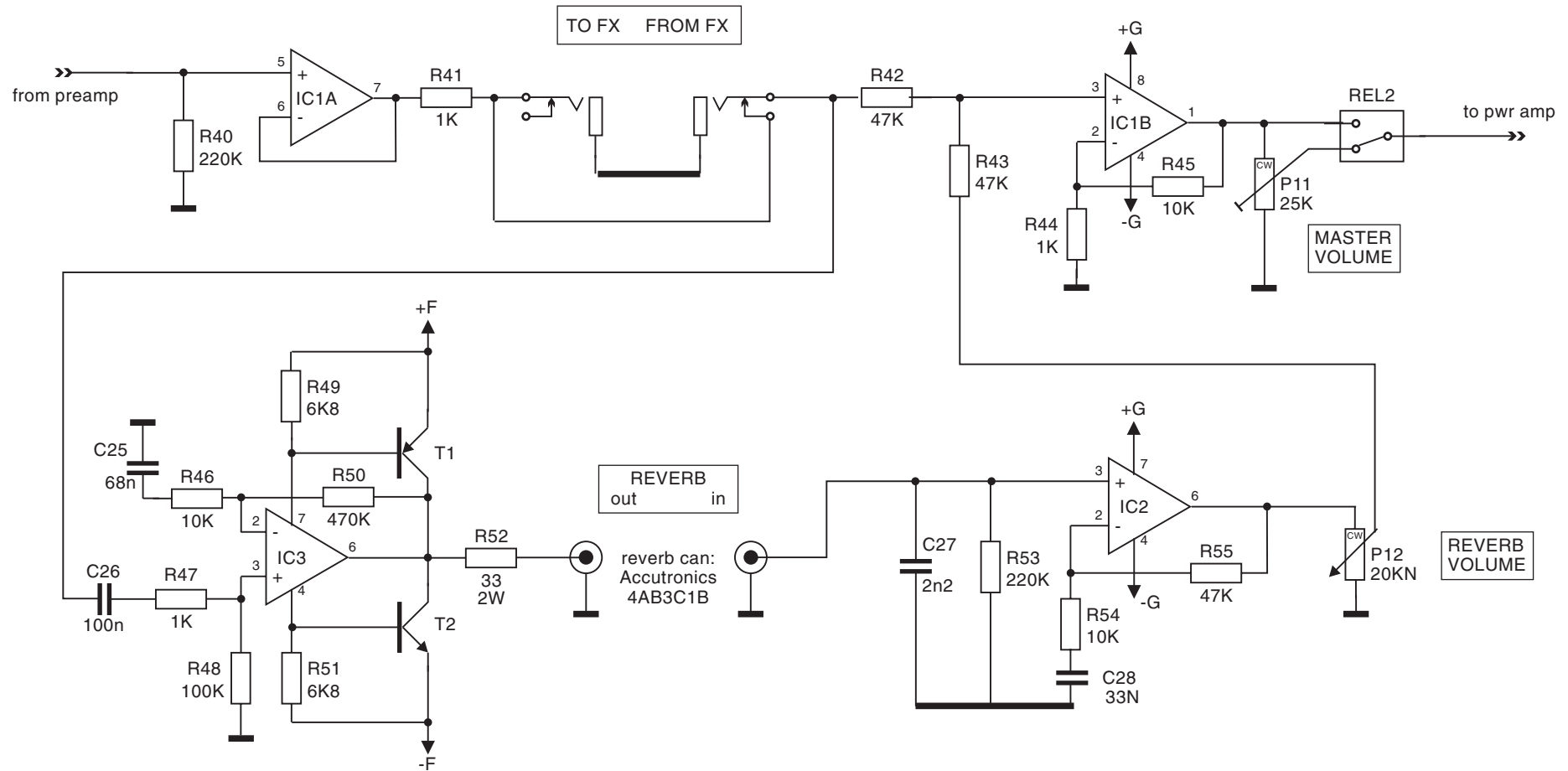


V1 - 12AX7WA/EH
V2,3 - 12AX7



IC1 - OP249
 IC2 - TL071
 IC3 - TL061
 T1 - BD136
 T2 - BD135



KOCH
GUITAR ELECTRONICS
 Amersfoort
 The Netherlands

© Copyright 1995, Koch Guitar Electronics

DRAWN:
 Dolf Koch

DATE:
 march 2001

TWINTONE

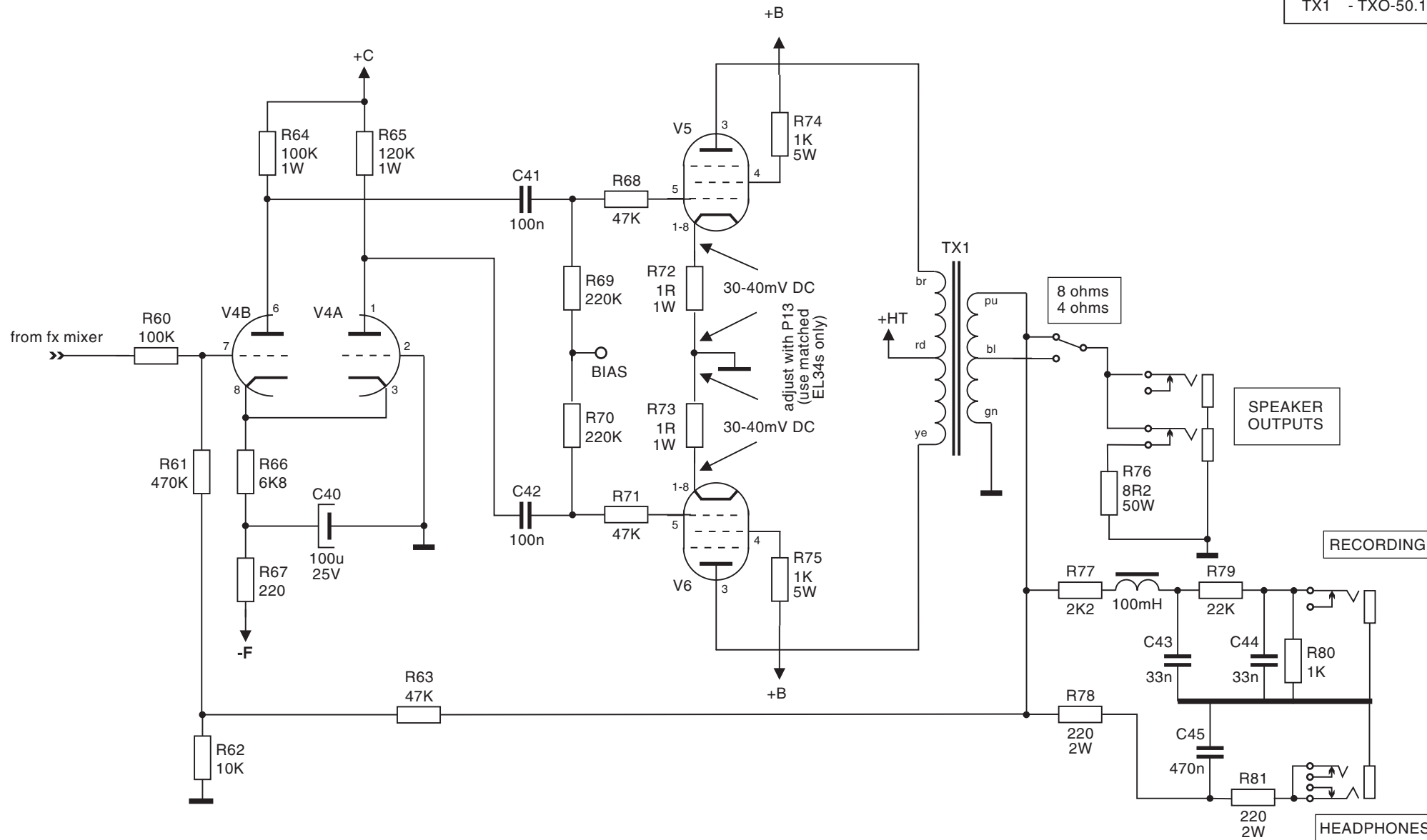
MARK:
 4.0

SERIAL NRS:
 x631 - x760

FX LOOP, REVERB

PAGE:
 2 of 4

V4 - 12AX7
 V5,6 - EL34
 TX1 - TXO-50.1



KOCH
GUITAR ELECTRONICS
 Amersfoort
 The Netherlands

© Copyright 1995, Koch Guitar Electronics

DRAWN:
 Dolf Koch

DATE:
 march 2001

TWINTONE

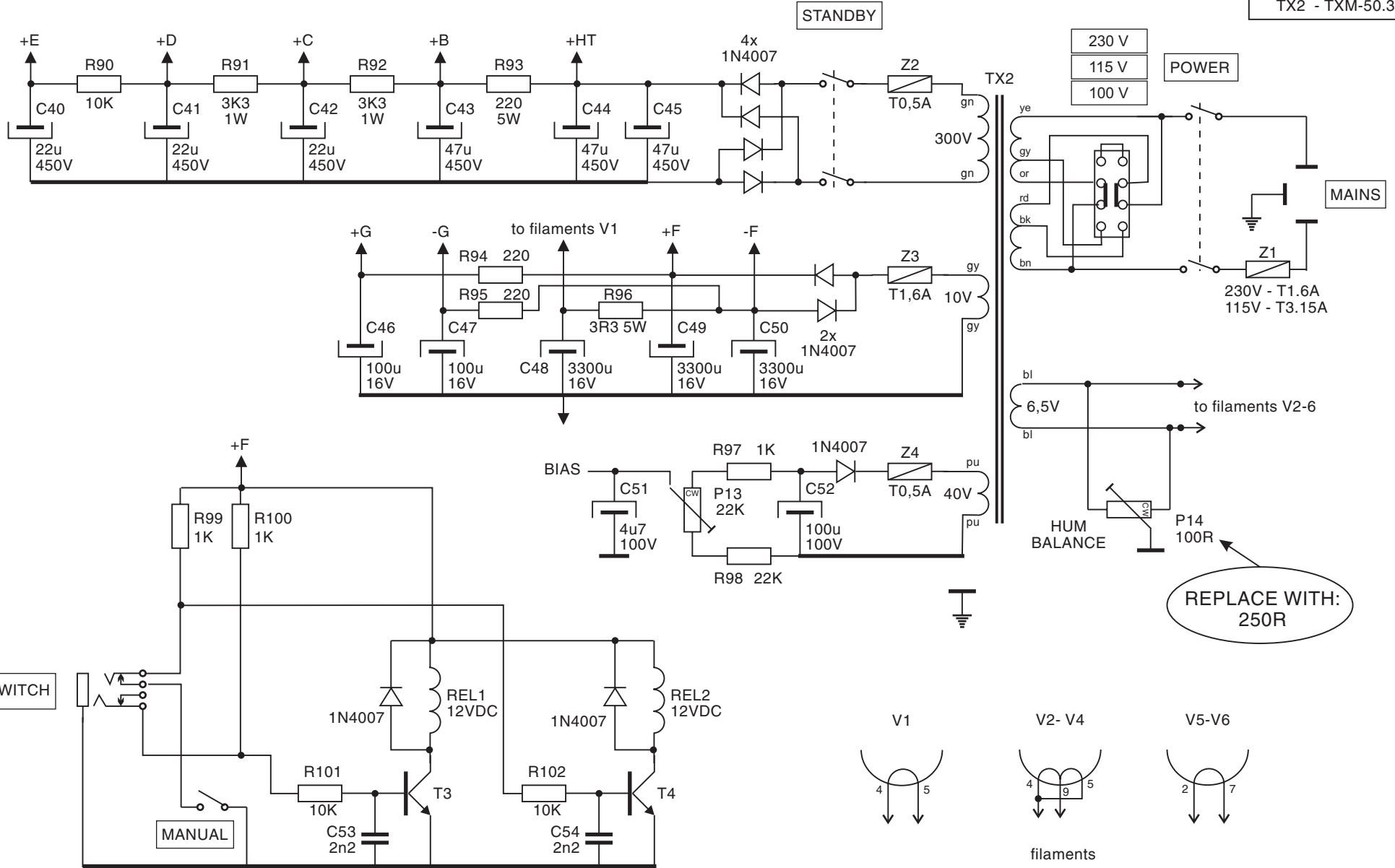
MARK:
 4.0

SERIAL NRS:
 x631 - x760

POWER AMP

PAGE:
 3 of 4

T3,4 - BC550
TX2 - TXM-50.3



KOCH
GUITAR ELECTRONICS
Amersfoort
The Netherlands

© Copyright 1995, Koch Guitar Electronics

DRAWN:
Dolf Koch

DATE:
march 2001

TWINTONE

MARK:
4.0

SERIAL NRS:
x631 - x760

POWER SUPPLY, LOGIC

PAGE:
4 of 4